

Advantages

- Long life according to EUROBAT Classification
- High discharge performance
- 99%+ gas recombination efficiency
- Maximum charge efficiency
- Low self-discharge rate
- Easy installation and handling

Application

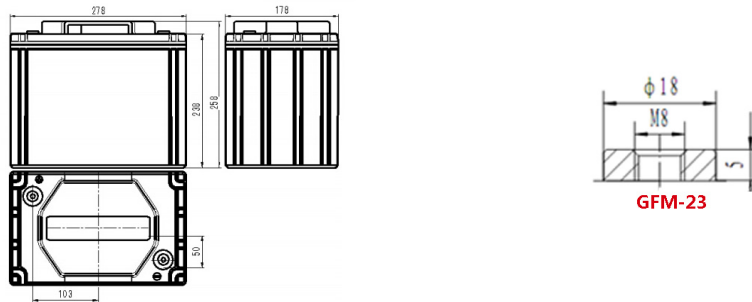
- Telecommunication
- Emergency power
- UPS units
- Electrical Power plants and substation
- Transportation

Standards

- IEC 60896-21/22:2004
- Eurobat guide
- installation compliant with EN50272-2



Drawing



Specification

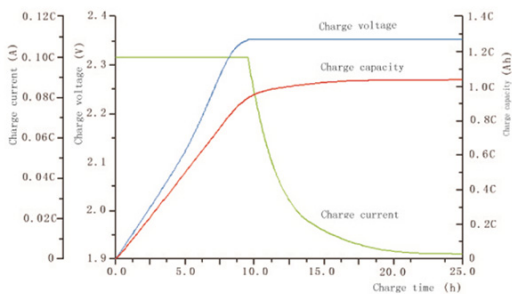
Battery Model	3GFMG-125			
Designed Life(Years)	12			
Capacity(Ah/25°C)	10HR(12.5A,1.80V)	5HR(21.56A,1.80V)	3HR(32.15A,1.80V)	1HR(76.87A,1.75V)
	125	107.8	96.45	76.87
Dimensions	Length(mm)	Width(mm)	Height(mm)	Total Height(mm)
	278	178	238	258
Approx.Weight(Kg)	25.5			
Internal Resistance(mΩ)	2.63			
Max. Discharge Current(A/5Sec.)	1000			
Self Discharge(25°C)	<=1% per month			
Charge Voltage(V/25°C)	Cycle use		Float use	
	2.35(-3.5mV/°C),max charge current:25A		2.25(-3.5mV/°C)	

Discharge Data

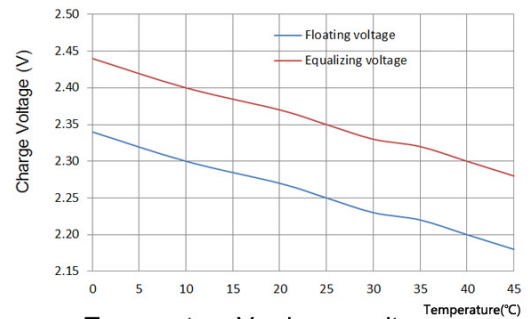
Constant current discharge data(25°C,A)														
Endvoltage (V/cell)	5min	10min	15min	20min	30min	40min	50min	1h	1.5h	2h	3h	5h	8h	10h
1.60	376.6	304.8	248.6	204	146.3	116	96.3	83.76	62	50	35	22.5	15.84	12.89
1.65	339.8	273.4	230.6	189.8	141.5	114.2	93.4	81.33	61.00	49.00	34.34	22.22	15.59	12.81
1.67	325.3	264.6	223	184.3	139.5	113.0	92.13	80.32	60.00	48.00	34	22.16	15.52	12.8
1.7	309.5	254.7	214.4	178	136.9	111.8	90.5	78.98	59.00	47.00	33.52	22.02	15.39	12.73
1.75	282.2	234.5	197.4	166.4	132.6	107.5	88	76.87	58.00	46.00	32.84	21.77	15.19	12.66
1.8	259.4	216.8	184	156.8	127.4	102.0	84.9	74.42	56.00	44.00	32.15	21.56	15	12.5

Constant power discharge data(25°C,W/Cell)														
Endvoltage (V/cell)	5min	10min	15min	20min	30min	40min	50min	1h	1.5h	2h	3h	5h	8h	10h
1.60	629.7	514.1	419.5	351.6	264.5	218.0	186.0	157.2	122.1	92.08	65.83	44.14	29.81	24.66
1.65	593.8	487.5	404.4	339.7	257.9	217.0	183.0	155.2	120.5	90.8	65	43.76	29.7	24.59
1.67	573.7	474.1	395.3	334	255.2	216.0	182.0	154.2	119.8	90.31	64.75	43.62	29.7	24.6
1.70	551.4	458.8	384.7	327	251.5	215.0	181.0	152.5	118.6	89.46	64.25	43.31	29.58	24.52
1.75	511.5	421.9	357.8	314.5	243.8	212.0	179.0	150.3	116.7	87.89	63.58	42.73	29.38	24.45
1.80	462.2	387.8	337.8	301.6	235.2	206.0	177.0	147.7	114.6	86.25	62.75	42.03	29.22	24.37

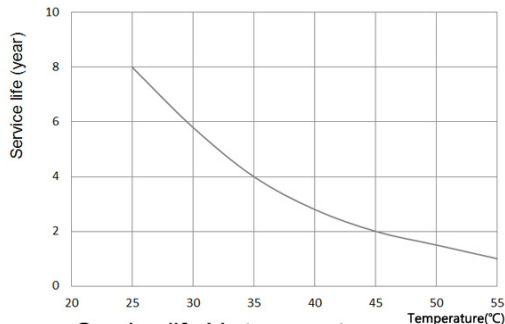
Performance Curve



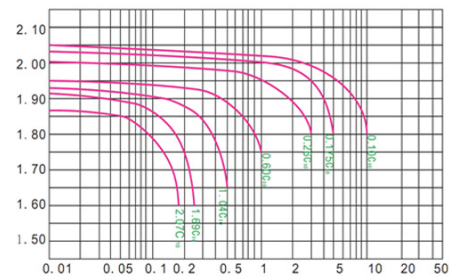
Charge performance



Temperature Vs charge voltage



Service life Vs temperature



Discharge performance

Sacred Sun Power Source Co.,Ltd.

No.1 Shengyang Road, Qufu City, PRC
 Website: www.sacredsun.com

Sacred Sun Asia Pacific

10Q,10thFloor, Xinbaohui Building, Nanhai Boulevard,
 Nanshan, Shenzhen, PRC.

Sacred Sun Europe SPRL

Paul Dejaerlaan 4b, B 1060 Brussel, Belgium

